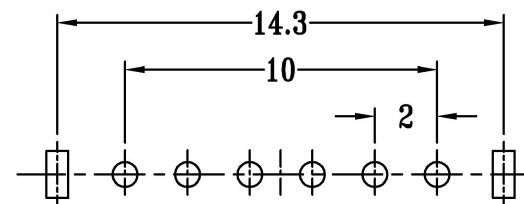
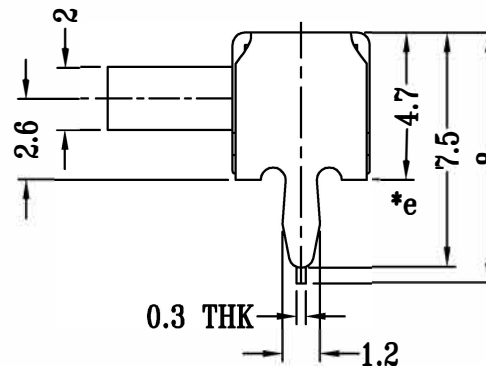
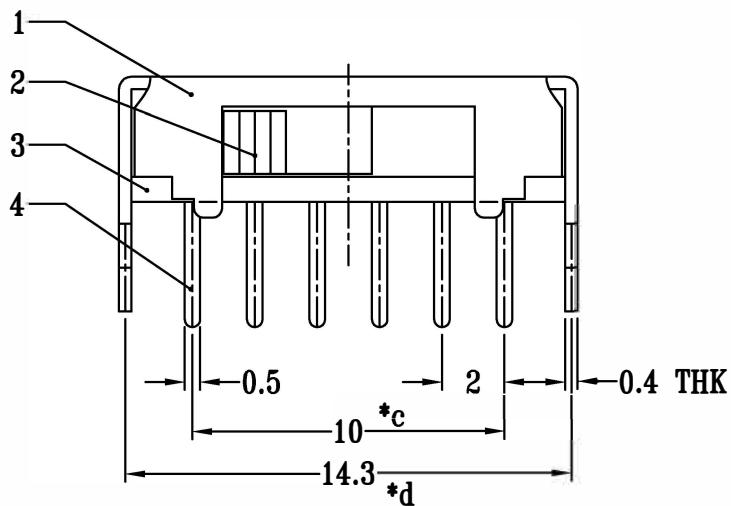


SCHEMATIC (SHORTING)



**P.C.B LAYOUT
BOTTOM VIEW**

注：“*”表示关键尺寸(5个).

NO.	PARTS	MATERIALS	Q'TY		TOLERANCE UNLESS SPECIFIED				
8									
7									
6	SPRING PLATE	PBS STRIP	1	NATURAL	WITHIN 1.5mm : ±0.1mm	A	2012-9-15	初版	曾鹏
5	CONTACT CLIP	PBS STRIP	1	Ag CLAD	OVER 1.5mm : ±0.2mm	ISSUE	DATE	DESCRIPTIONS OF REVISION	APPD.
4	TERMINAL	BRASS STRIP	6	Ag PLATED	TITLE : HORIZONTAL SLIDE SWITCH		UNIT : mm	DRWG NO.: LT-DR-SK14D01VG4-00	
3	BASE	PHENOLIC RESIN	1	NATURAL	MODEL: SK14D01VG4 高温金码		SCALE: 4 : 1	DWN.	张俊 2012-9-15
2	KNOB	PA66	1	BLACK	东莞市德沃电子科技有限公司			CHK'D	黄锦效 2012-9-15
1	FRAME	STEEL STRIP	1	Ni PLATED				APPD.	曾鹏 2012-9-15