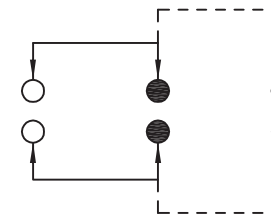
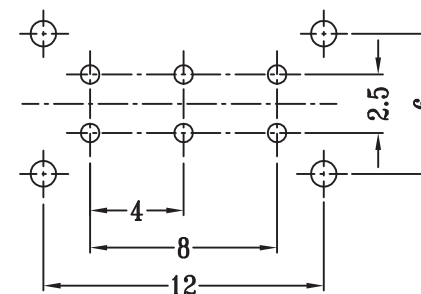
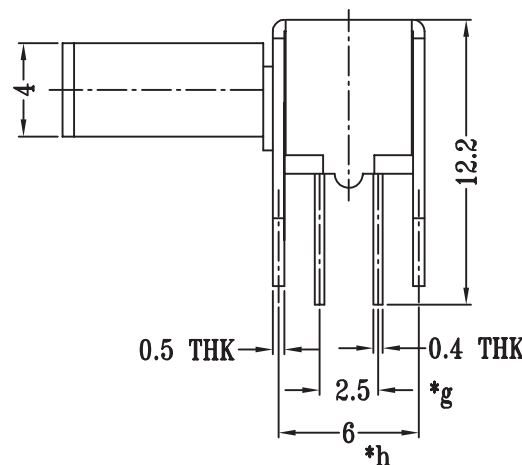
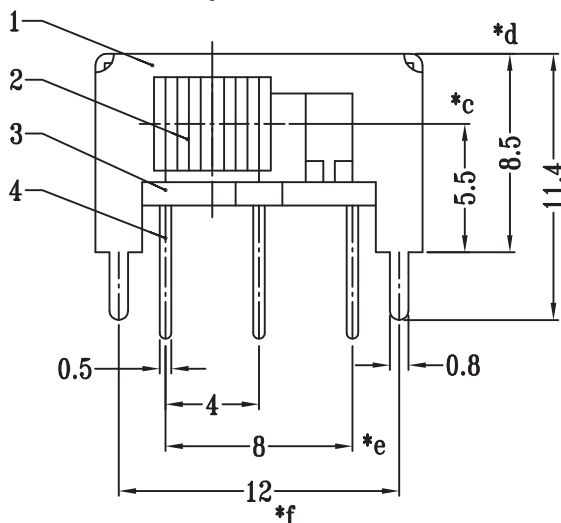
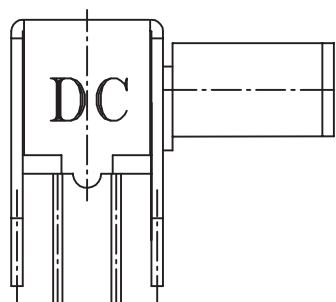
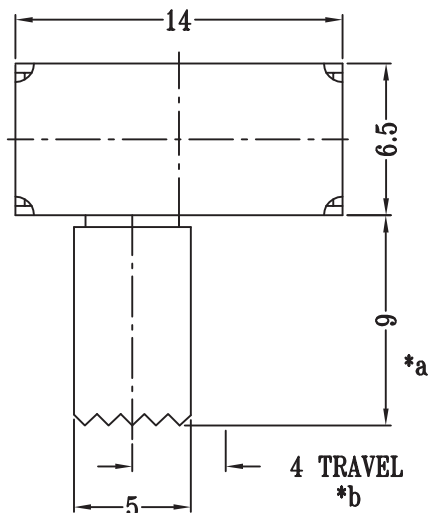


CAD FILE:



SCHEMATIC (NON-SHORTING)



**P.C.B LAYOUT
BOTTOM VIEW**

注：“*”表示关键尺寸（8个）.

NO.	PARTS	MATERIALS	Q'TY	FINISH	TOLERANCE UNLESS SPECIFIED						
8											
7	STEEL BALL	STEEL	1	NATURAL	WITHIN 1.5mm : ±0.1mm	A	2012-8-21	初版		曾鹏	
6	SPRING	STEEL WIRE	1	NATURAL	OVER 1.5mm : ±0.2mm	ISSUE	DATE	DESCRIPTIONS OF REVISION		APPD.	
5	CONTACT CLIP	PBS C5210R-EH	2	Ag CLAD	TITLE : HORIZONTAL SLIDE SWITCH			UNIT : mm	DRWG NO.: LT-DR-SK22H09G9-03		
4	TERMINAL	BRASS STRIP	6	Ag PLATED	MODEL: SK22H09G9-DC高温金码			SCALE: 3:1	DWN.	张俊	2012-8-21
3	BASE	PHENOLIC RESIN	1	NATURAL	东莞市德沃电子科技有限公司 Dongguan Dewo Electronics Technology Co., Ltd.			CHK'D	黄锦效	2012-8-21	
2	KNOB	PA66	1	BLACK				APPD.	曾鹏	2012-8-21	
1	FRAME	STEEL STRIP	1	Ni PLATED							